
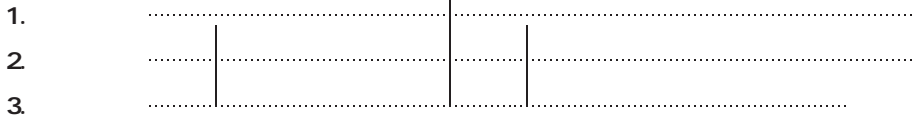


ES-210

The background of the page features a minimalist, abstract design. It consists of several overlapping triangular shapes in various shades of gray, including light gray, medium gray, and dark gray. These shapes are positioned in the lower half of the page, creating a modern, geometric aesthetic.

PENTAIR
PENTAIR

PENTAIR() EVERPURE()



3.1

3.2

3.3

3.4

4.

4.1

4.2

4.3

4.4

5.

5.1

5.2

5.3

5.4

5.5

6.

6.1

6.2

1.

•

•

•

•

•

•

100%

•

0

•

•

•

•

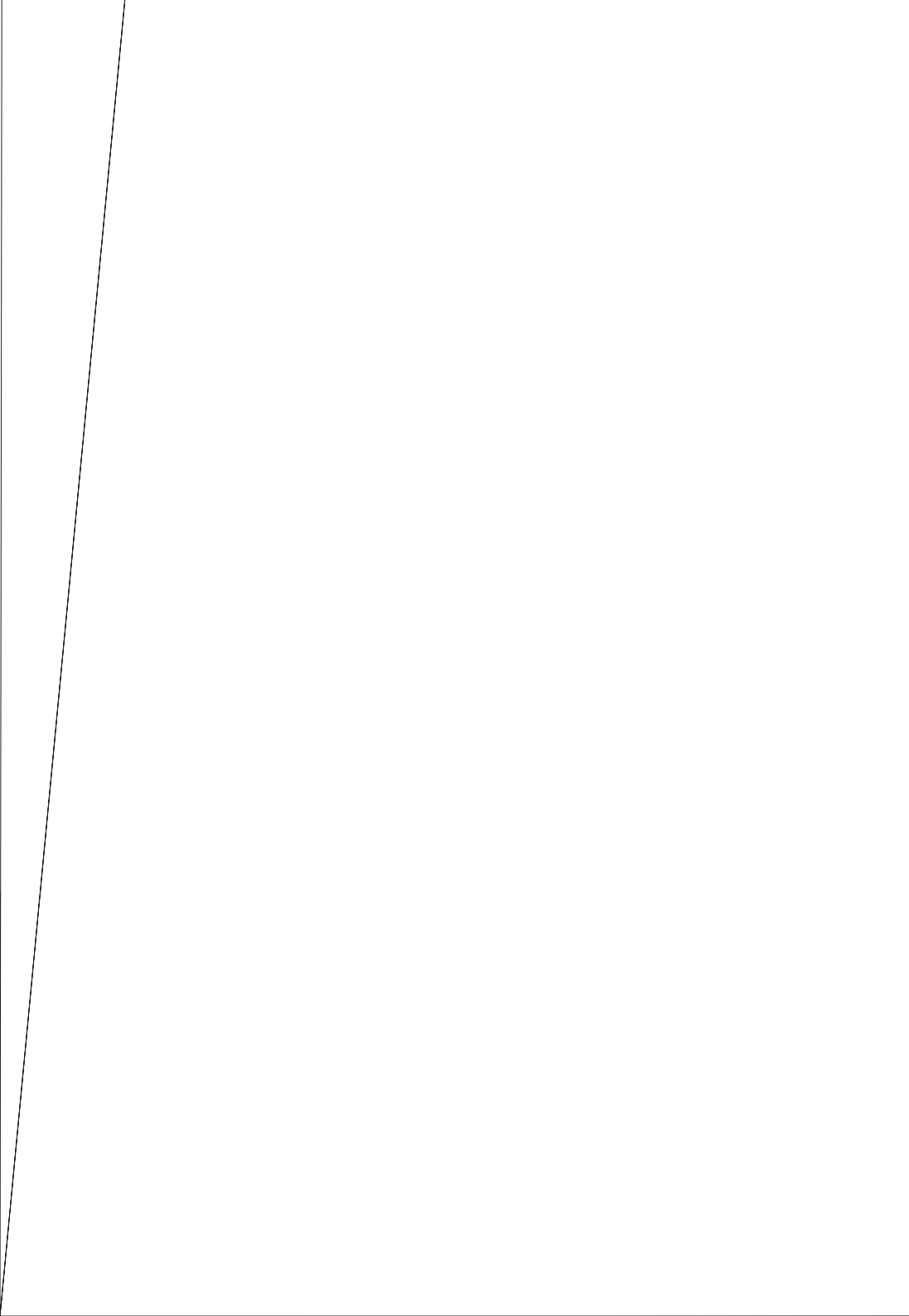
•

•

•

2-49

•



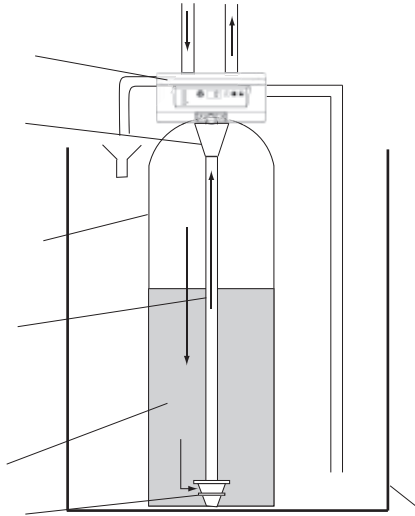
3.

3.1

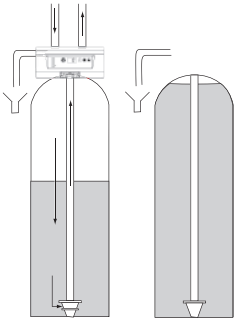
— 2001

3.2

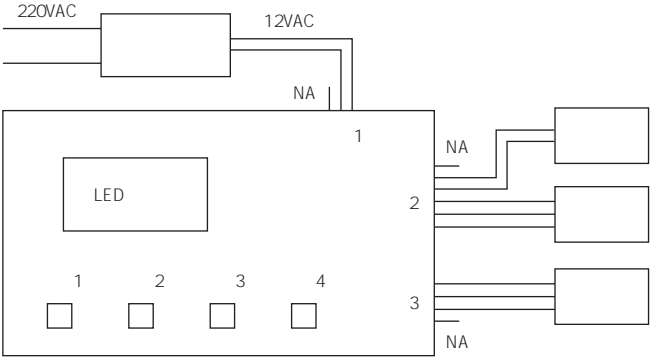
3.2.1



3.2.2



3.2.3



3.3

	ES-210
/	3/4" (25mm)BSPT
	0.14 0.35MPa
	0.9m ³ /h
	1.5m ³
	8000m ³
	2001
	12L
	10kg
	220V-50Hz
	8W
	4 38
	2 49
* *	500*280*510mm
	1/2" (12.7mm)
	3/8" (9.5mm)

3.4

		/			
1		0.6-0.8mm		12L	10
2		250mm 400mm		1	10
3		25L		1	10
4		222mm × 222mm × 119mm	+	1	10
5		25mm	PVC	1	10
6		25	ABS	1	10
7		25	ABS	1	10

4.

4.1

-

-

- a). 55cm × 30cm
- b). 66cm
- c). 40-160cm

- d). 10.2cm
- e). / 220V-50Hz
- f). 8W
- g). 2m
- h).
- j). 4°C 38°C
- k). 0.14MPa 0.35MPa

•

2°C 49°C

•

•

40-160cm

10cm

•

•

0.14 0.35MPa

•

•

•

•

10

•

Y

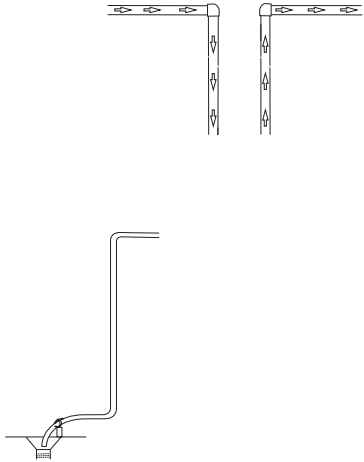
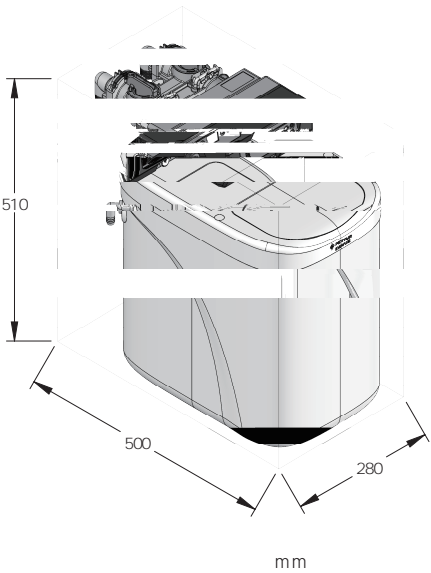
•

6m

•

4.2

4.3



4.4

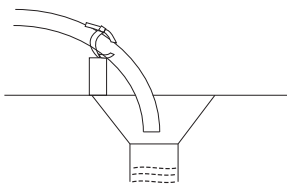
4.4.1

- 0
- 100% 0

-
-
-

4.4.2

-
-
-
-
-
-



4.4.3

- 1/2"
-



4.4.4

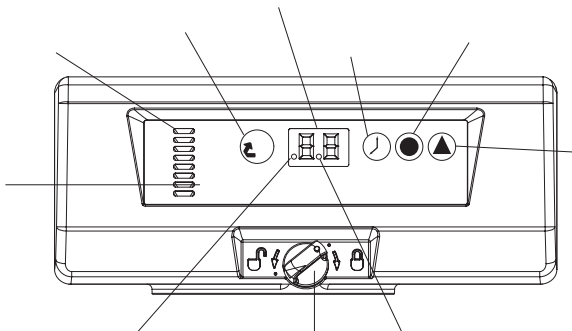
5



5.

5.1

5.1.1



5.1.2



0 23



0.20kg 6.0kg

0.20kg 1.0kg 0.05kg

1.0kg 3.0kg 0.1kg

3.0kg 6.0kg 0.5kg



0.40 9.5m³

0.4m³ 1.0m³ 0.05m³ 12

1.0m³ 3.0m³ 0.1m³ 20

3.0m³ 5.0m³ 0.2m³ 10

5.0m³ 9.5m³ 0.05m³(10

5.1.3



2 00)



3

--

5.1.4



3

1.

" C1"

2.



" C2"

3.

2 3

4.

3

5.1.5

4

- 1. 3
- 2. " u"
- 3.
- 4. 5

- 1. 3 " 0"
- 2. " u"
- 3. " u0"
- 4. 5 1
- 5. 1-4

u1	
u2	
u3	
u4	
u0	

5.1.6






3

- 0=
- 0.3= 8
- 0.5= 12
- 1-30=

5.1.7

- Err3
- u1 0.6kg

ES-210	
ppm	T
50	8.00
100	4.00
150	2.67
200	2.00
250	1.60
300	1.33
350	1.14
400	1.00
450	0.89
500	0.80
550	0.73
600	0.67
650	0.62
700	0.57
750	0.53
800	0.50
kg	0.6

- 4-5L
- " "
-  3 [] C1 1/4
- ,
-   C2
-  

C7

5.1.8

/

5.2

" "

<0.3mg/L

<3NTU

0.14MPa

0.6MPa

220V-50Hz

8

8

8

1.5



3

30



4



5



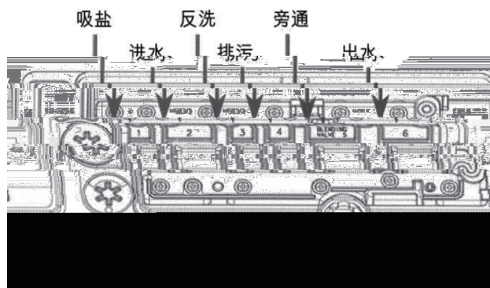
H2

H1		
H2		/
H3		
H4	200	9,999 65,535
H5		
A0	0	
A1	1	
A2	2	
A3	3	
A4	4	
A5	5	
A6	6	

-

-

-



● -

Err 1		Err 1
Err 3	Err 3	1. 2.
	5	1. 2.

6.

6.1



1

1

2

3

4



5

6

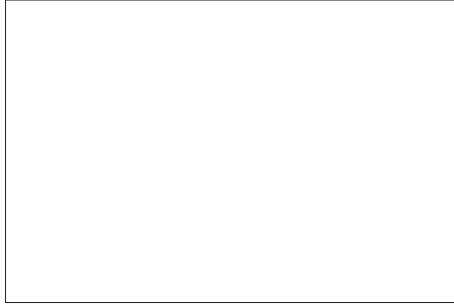
7

8

800-820-6671

400-820-6671

09:00-19:00



371

215011

800-820-6671

400-820-6671

www.pentairwater.cn

MPMA003_A